

CAUTION! Do not use if cable is defective.

- Disconnect the power supply from any defective appliances.
- Factory setting is (NC) Normally Closed
- Guidelines for the electrician; Level of contamination 2; As per EN60730
- When changing from normally closed to normally open, live components are exposed. Therefore, disconnect the power when changing.



1

Class II
EN 61000-4-5

2

IP44
EN60529

90°

IP42
EN60529

3

4

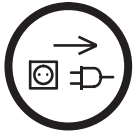
1

2

5

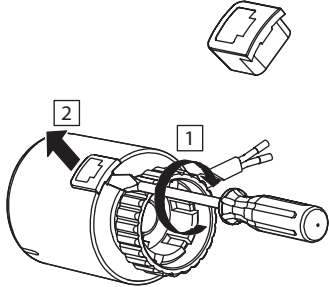
| | |
|------------------|-------------------|
| PRO 230 - 230Vac | PRO 230 |
| blue brown | Voltage |
| _____ | 230 V~ |
| | Running time |
| | 3,5 min. |
| bl br | Stroke |
| | 3,5 mm |
| | Spring pressure |
| | 125 N |
| | Power consumption |
| | 2,5 W |
| | Inrush current |
| | <550 mA |
| | for max. 100ms |

6

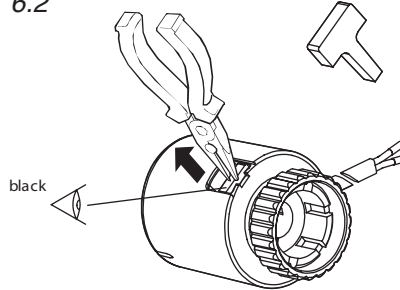


To set to (NO) Normally Open

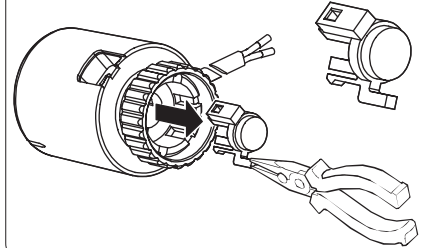
6.1



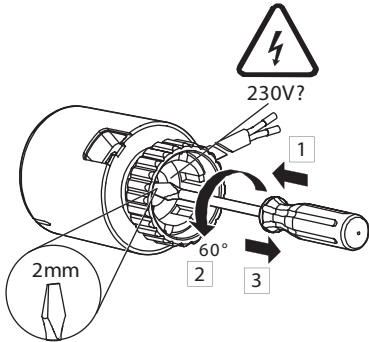
6.2



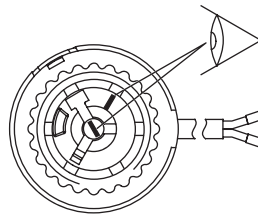
6.3



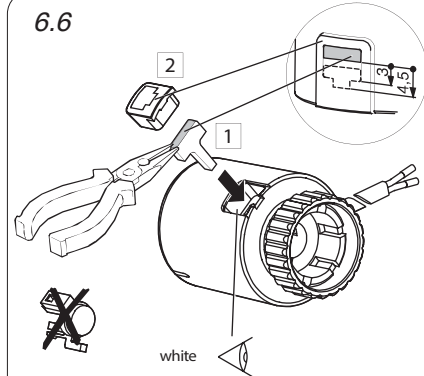
6.4



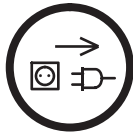
6.5



6.6

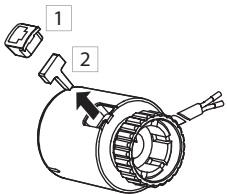


7

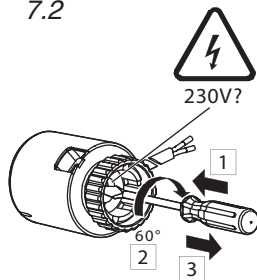


To reset to (NC) Normally Closed

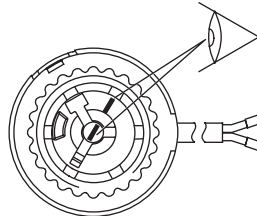
7.1



7.2



7.3



7.4

