

Pioneering for You

HVAC OEM Competence Centre

Wilo-Para ****-*-**/6-43/SC** Datasheet



Para 158-43SC
0000000
181948 1800000

wilo

EEI s 8.20-Part 3
IPX4D
S-43W
Dmax 0,44 A
PMS
TF95
1-230V
50/60Hz

Made by Wilo-Inter
10 av. E. Condell
F-18100 Aulnay-sur-Seine
Made in TU

CE

Wilo-Para **-*** /6-43/SC

Heating



Field of application



Heating

Para 15-130/6-43/SC-12

WILO

High Efficiency pump for heating application

-	Inline cast iron pump housing
15	Threaded connection DN15 (25, 30: also available)
130	Pump housing length 130 (180: also available)
6	6,7= delivery head in [m] at Q = 0 m ³ /h
43	Max power consumption
SC	The pump is controlled by Push button technology SC = ΔP-v, ΔP-c, constant speed I, II, III
12	Control box orientation 12 o'clock (3, 6, 9 o'clock: also available)

Approved fluids (other fluids on request)	Heating water (in accordance with VDI 2035) Water-glycol mixtures (max. 1:1; above 20% admixture, the pumping data must be checked)
--	--

Power

Energy Efficiency Index (EEI)	≤ 0.20
Max. delivery head	6,7 m
Max. volume flow	3,2 m³/h

Permitted field of application

Temperature range for applications in HVAC systems at max. ambient temperature. Limit values for continuous operation at maximum rated power	Of 58°C = 0 to 100°C Of 62°C = 0 to 90°C Of 66°C = 0 to 80°C Of 71°C = 0 to 70°C
Maximum static pressure	PN10

Electrical connection

Mains connection	1~230 V +10%/-15%, 50/60 Hz (IEC 60038 standard voltage)
------------------	--

Motor/electronics

Low voltage directive	2006/95/EC Conform
Electromagnetic compatibility	EN 61800-3
Emitted interference	EN 61000-6-3 EN 61000-6-4
Interference resistance	EN 61000-6-2 EN 61000-6-1
Protection class	IPx4D
Insulation class	F
RoHS / REACH	Compliant but not submitted

Minimum suction head at suction port to avoid cavitation at water pumping temperature

Minimum suction head at 50/95°C	0.5/4.5 m
---------------------------------	-----------

Motor data

Para	Speed	Power consumption 1-230 V	Current at 1-230 V	Motor protection
	n	P1	I	-
	rpm	W	A	-
**/6 SC	2430 - 4300	3-43	0.04-0.39	Integrated

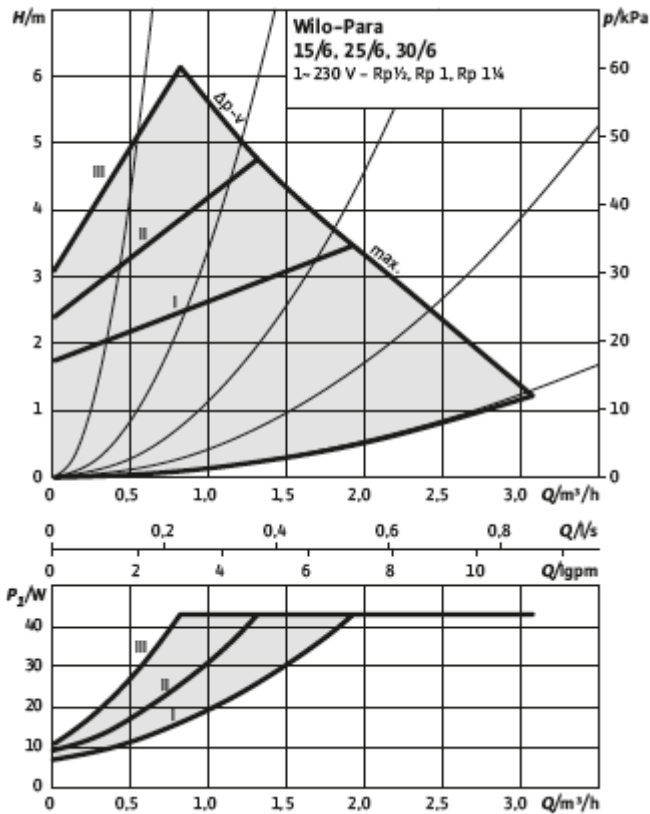
Materials

Para	Pump housing	Impeller	Pump shaft	Bearing
**/6 SC	Cast iron with cataphoresis treatment	PP composite with GF 40%	Stainless steel	Carbon, metal impregnated

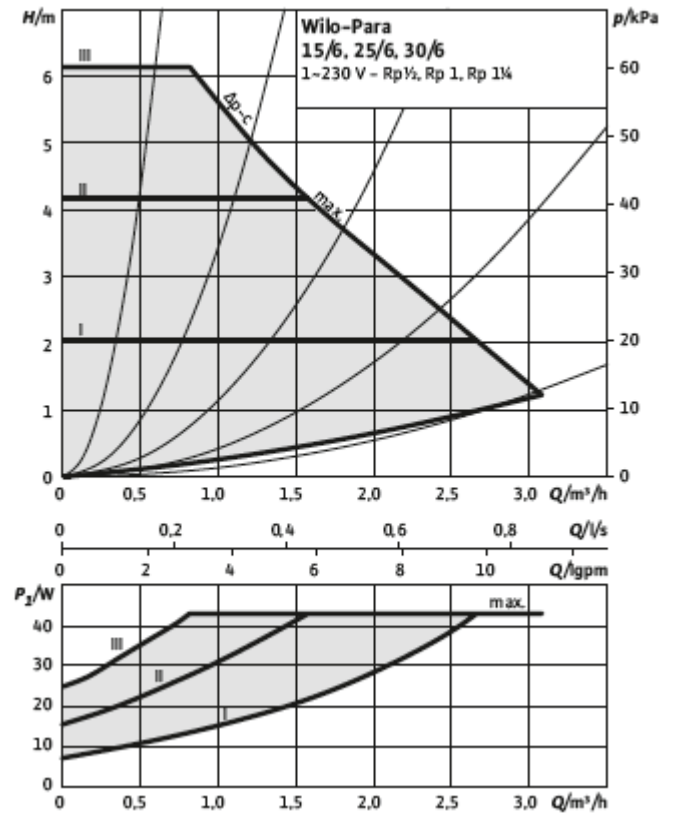


Hydraulic operational area

$\Delta p-v$ (variable)

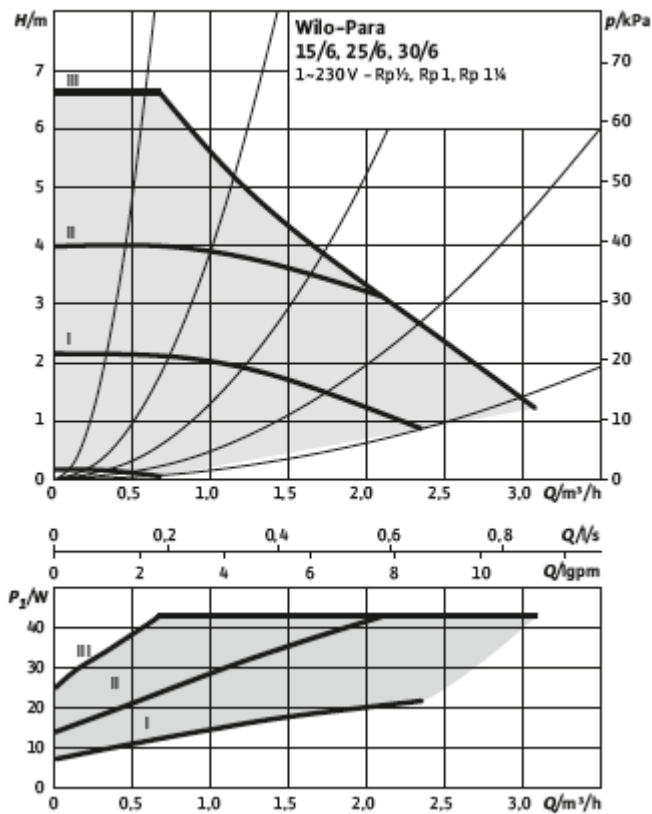


$\Delta p-c$ (constant)



Heating

Constant speed I, II, III



Datasheet Wilo-Para */*/6 SC 04/07

Hydraulic operational area

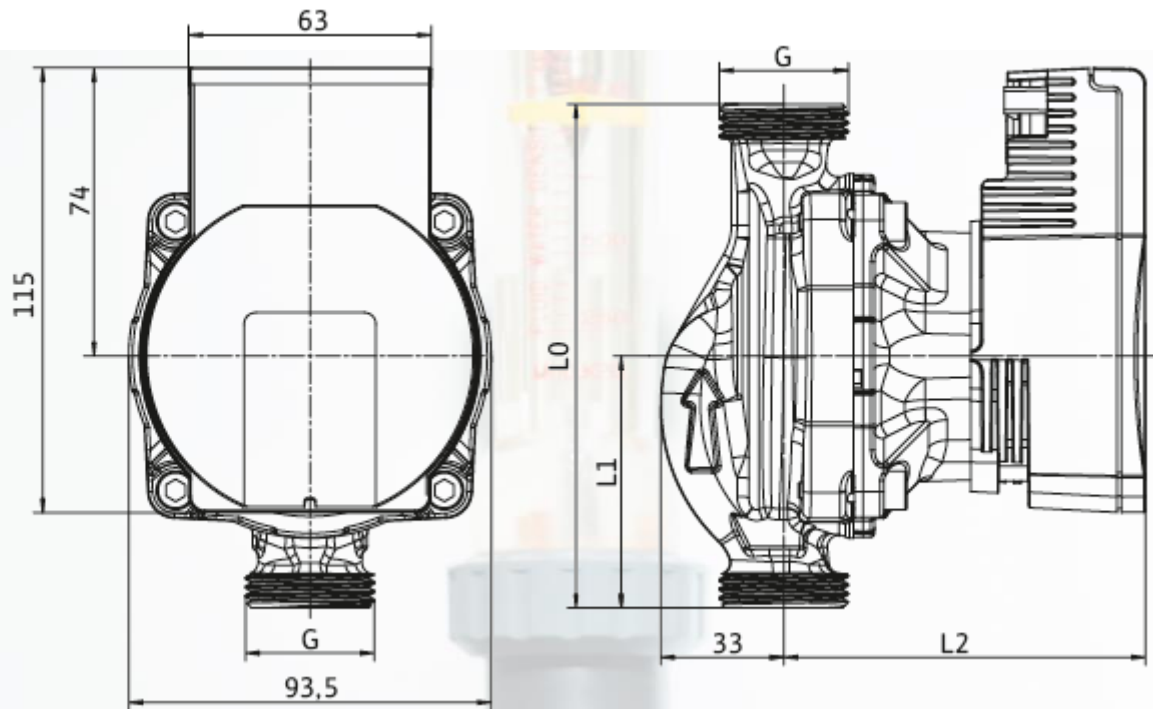
Standard factory setting

Heating



Dimensions

Wilo-Para



Heating

Technical data			
Designation	Para 15-130/6-43/SC	Para 15-130/7-50/SC	Para 15-130/8-75/SC
Threaded pipe union		Rp 1/2	
Thread		G 1	
Overall length l_0		130 mm	
Dimensions L1		65mm	
Dimensions L2		94mm	105mm
Weight approx. m		1.54 kg	1.7 kg

Technical data						
Designation	Para 25-130/6-43/SC	Para 25-180/6-43/SC	Para 25-130/7-50/SC	Para 25-180/7-50/SC	Para 25-130/8-75/SC	Para 25-180/8-75/SC
Threaded pipe union	Rp 1					
Thread	G 1/2					
Overall length l_0	130 mm	180 mm	130 mm	180 mm	130 mm	180 mm
Dimensions L1	65mm	90mm	65mm	90mm	65mm	90mm
Dimensions L2	94mm			105mm		
Weight approx. m	1.66 kg	1.78 kg	1.66 kg	1.78 kg	1.8 kg	2 kg

Technical data			
Designation	Para 30-180/6-43/SC	Para 30-180/7-50/SC	Para 30-180/8-75/SC
Threaded pipe union		Rp 1 1/4	
Thread		G 2	
Overall length l_0		180 mm	
Dimensions L1		90mm	
Dimensions L2		94mm	105mm
Weight approx. m		1.96 kg	2.1 kg



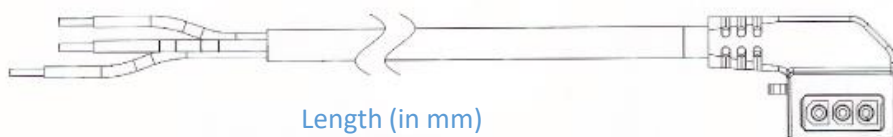
Electrical Power connections

Integrated Molex 3-way connector



Heating

Accessories power cable



Available mains cables

Overmoulded power connector with brass end splices and type Facon PR260 on terminal box side (disconnection possible)

cable length 500mm	4530966
cable length 1000mm	4524578
cable length 1500mm	4530763
cable length 2000mm	4527857

Not assembled



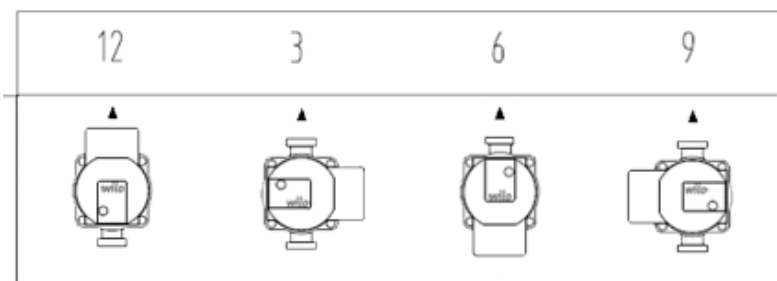
Molex 3 ways



WS8

Electrical Box orientation

▲ Flow direction



wilo

Pioneering for You

WILO Group – Strategic Business Unit OEM

WILO Intec
50 av. Casella
18700 - Aubigny sur Nère
France
T +33 2 48 81 62 62
information@wilointec.com
www.wilo-oem.com

